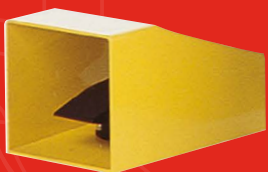


JETPRESS

T-NUT INSERTION SYSTEMS

- EFFICIENT
- ACCURATE
- COST-EFFECTIVE



The Sigma Rivet T-Nut System

- Maximum push-out resistance
- Reduce cross-threading issues
- Eliminate over-stapling process
- Improved production efficiency

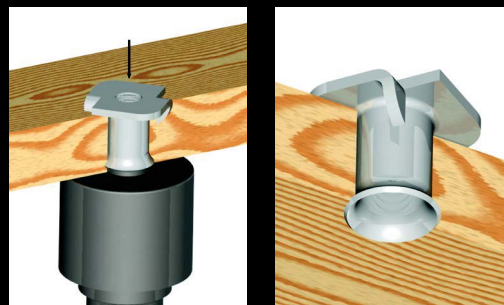


TABLE TOP RIVET T-NUT MACHINE

- Table Top machine designed to suit low to mid volume applications
- Up to 1,000 insertions per hour
- Strip-fed T-Nut system
- Fast and accurate insertion
- Dual safety system
- Simple and easy to maintain
- Adjustable air pressure setting varies depth of insertion
- Quick change flaring tool creates flexibility for use with a wide variety of material sizes
- Machine mounts to any workbench or can be supplied with an optional stand



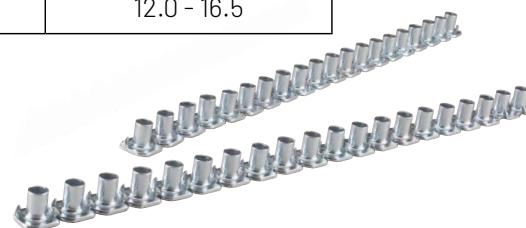
Below is our stocked range of Rivet T-Nuts and 4 Pronged T-Nuts. Other sizes are available to order, please contact our sales team for pricing and further information.

RIVET T-NUTS

Thread	Length Range (mm)
M5	12.5 - 19.5
M6	9.0 - 21.0
M8	14.5 - 25.5
M10	17.5 - 21.0

4 PRONGED T-NUTS

Thread	Length Range (mm)
M4	8.0
M5	9.0 - 12.5
M6	8.0 - 12.0
M8	12.0 - 16.5



Watch our YouTube video to see the T-Nut machine in action at jetpress.com or use your smart phone to scan this code.



FLOOR STANDING RIVET T-NUT MACHINE

- Floor standing machine designed to suit volume applications
- Up to 2,000 insertions per hour
- Automatic feed system
- Fast and accurate insertion
- Dual safety system
- Simple and easy to maintain
- Adjustable air pressure setting varies depth of insertion
- Quick change flaring tool creates flexibility for use with a wide variety of material sizes

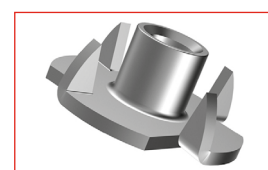


HOW CAN WE HELP YOU?

The JET PRESS sales team can arrange trials and demonstrations to show how effective our machines can be as part of your production process.

Our dedicated engineer can set machines to your specific requirements and offers service / support packages.

For prices, or to find out more, call our team on 01623 551800, or email kevin.parr@jetpress.com



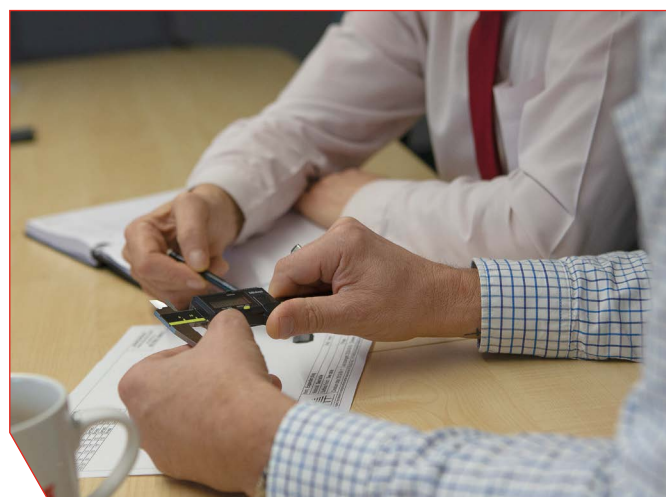
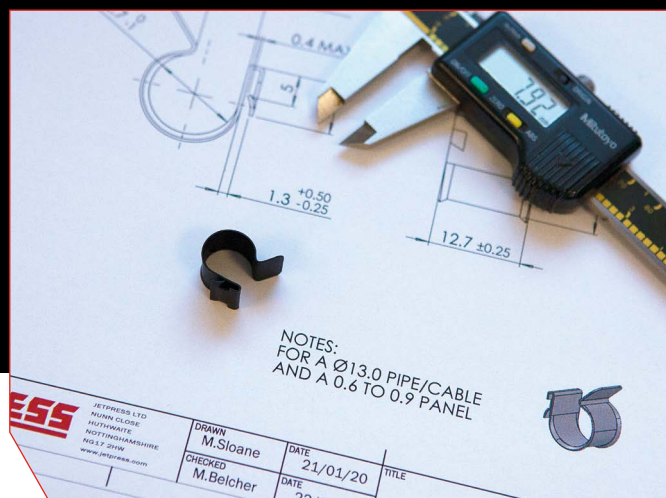
YOUR PROVIDER FOR FURNITURE COMPONENT SOLUTIONS

Through our global supply chain, in-house engineering and development expertise, we help lower the risk, cost and complexity of our customers' supply chains.

QUALITY ASSURED

We meet a wide range of quality standards for industry and will support you with all the documentation you require to demonstrate quality compliance.

- ISO9001:2015
- ISO14001:2015
- Production Part Approval Process (PPAP)
- Initial Sample Inspection Reports (ISIR)
- Failure Mode and Effect Analysis (FMEA)
- International Automotive Task Force (IATF) - in progress



CUSTOMER SERVICE

Our team is made up of friendly, helpful experts. They are all keen to find the right part for you and deliver it when and where you need it from our distribution centres in the UK and the EU. Your dedicated Account Manager will work closely with you to ensure you receive the highest levels of service.

CONTACT US

Success over the last 40 years has been delivered by the people at the heart of our business. The relationships they've established and nurtured is why we exist and why we're different. We're in it for the long-term, as a partner in the success stories of our customers and suppliers alike. Our business, any business is people.

Please contact us, our experienced team of engineers is here to support application specific enquiries.

SUSTAINABILITY

We believe the Circular Economy is one crucial way we can help to save the planet. This is all about reusing parts or recycling fasteners to make new components. We can provide details of the recycled content in most fasteners and advise on end-of-life recycling.