

JETPRESS

YOUR GLOBAL SOURCE FOR
HEYCO® CABLE & HOSE
MANAGEMENT PRODUCTS



Authorised Heyco
distributor providing expert
technical advice and support

JETPRESS.COM

SNAP BUSHINGS

- Insulates and mechanically protects cables, tubing and hose
- Quick and easy installation with only fingertip pressure
- Withstands a push-out force of 15.9kg

Mounting Hole Diameter Range from 25.4mm to 63.5mm

STRAIN RELIEF BUSHINGS - FOR ROUND CABLES

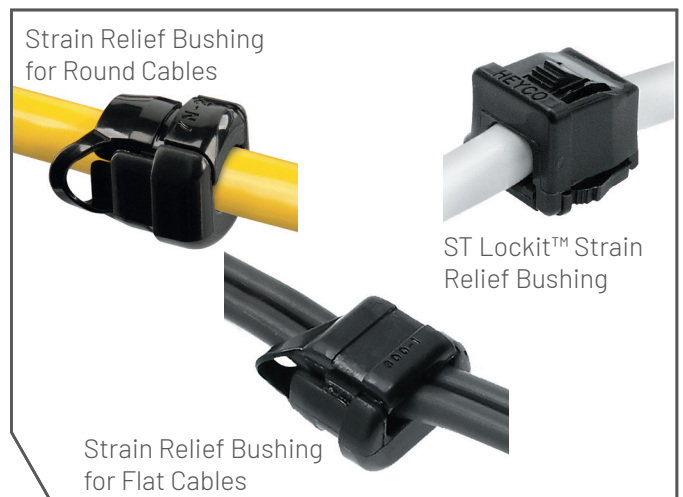
- Securely anchors, insulates and protects cables at the panel entry points
- Extends the lifetime of your products
- Straight-through design

Mounting Hole Diameter Range from 15.9mm to 19.0mm

DOMES PLUGS

- Quick and easy installation
- Convex, matt appearance for attractive finish
- Locks firmly into the panel up to 6.4mm thick

Mounting Hole Diameter Range from 4.7mm to 63.5mm



WANT MORE INFORMATION?

If you cannot find what you are looking for visit jetpress.com or contact our sales team.



VENT PLUGS

- Permits the passage of air for ventilation and heat dissipation
- Quick and easy installation, no tools required
- Convex, matt appearance for attractive finish

Mounting Hole Diameter Range from 12.7mm to 101.6mm

STRAIN RELIEF BUSHINGS - FOR FLAT CABLES

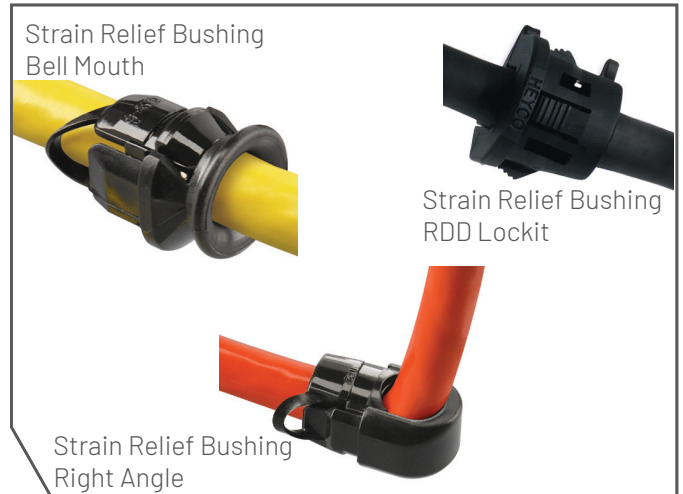
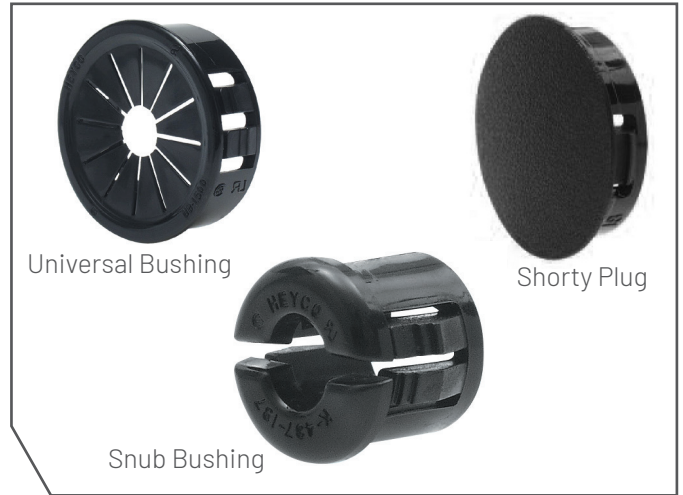
- Securely anchors, insulates and protects cables at the panel entry points
- Extends the lifetime of your products
- Straight-through design

Mounting Hole Diameter Range from 9.5mm to 12.7mm

ST LOCKIT™ STRAIN RELIEF BUSHINGS

- Quick and easy assembly
- Eliminates the possibility of the cable or hose twisting / rotating
- Self-locks onto the cable

Available for a range of rectangular mounting hole sizes



NEED EXPERT ADVICE?

If you need help finding the best product for your application, contact our sales team who will be delighted to take your call.



GLOBAL DELIVERIES SINCE 1977

We have over 40 years' experience in providing you with engineered fasteners from our own manufacturing and global partners.

QUALITY ASSURED

JET PRESS is an ISO9001:2015 and ISO14001:2015 accredited business.

We provide quality support documentation in line with Production Part Approval Process (PPAP) and Initial Sample Inspection Reports (ISIR), supported by Failure Mode and Effect Analysis (FMEA) alongside our functional test capability. Our quality management team ensures our stringent standards of product quality are continuously maintained.

BESPOKE PRODUCTS AND INNOVATIVE SOLUTIONS

In-house design and manufacturing resources are available at JET PRESS. Our team would like nothing more than to help you solve problems in the design and manufacture of essential equipment.

Two leading British manufacturing companies and a specialist engineering design consultancy are currently working on the design and production of a ventilator. We were able to recommend a Cable and Pipe Clip Retainer with a flange to solve a particular problem.

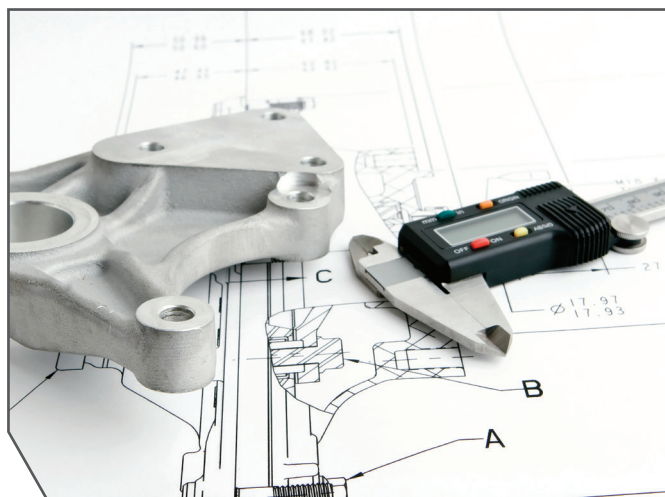
EXTENSIVE STOCK & FREE SAMPLES

Our large stock holdings ensure quick delivery, wherever you are in the world. Free-of-charge samples are available for most products.

WOULD YOU LIKE TO SPEAK TO AN EXPERT?

Our friendly and helpful customer service team will be delighted to take your call or simply drop us an email:

+44 1623 551 800
webenquiries@jetpress.com



The JET PRESS team are available to send you free samples for any of the above products or are happy to discuss the most appropriate fastener or component for your application.